



DEM Part Number 2370PA, 2370PAS, 2370PAHS, and 2370PASHS
65 Watts, 1240 to 1300 MHz Linear Amplifier

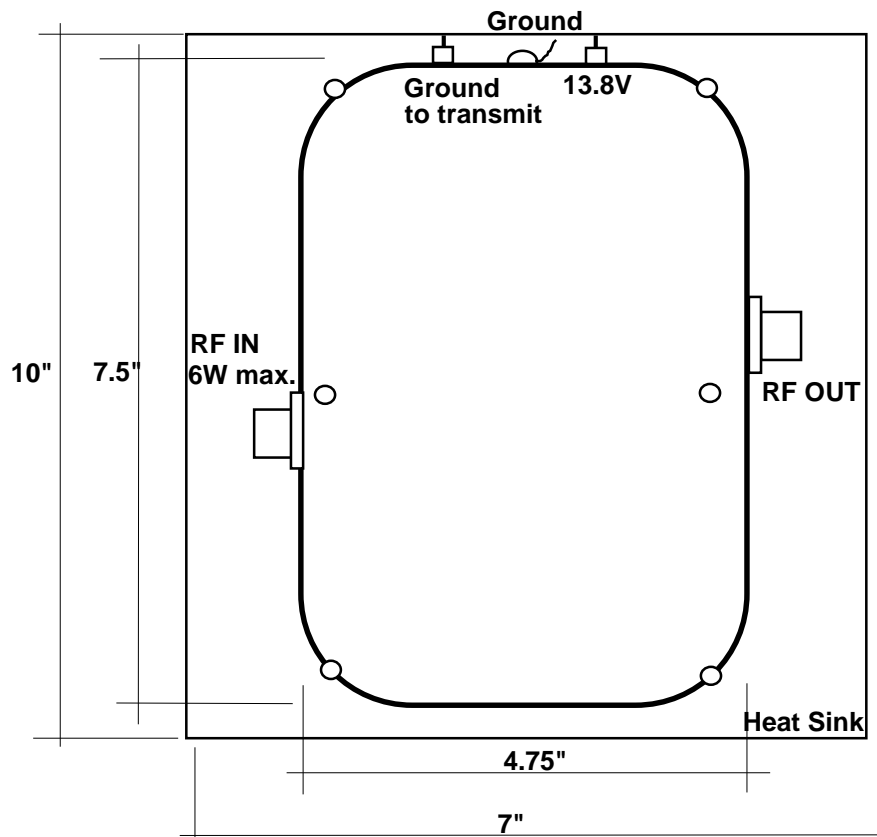
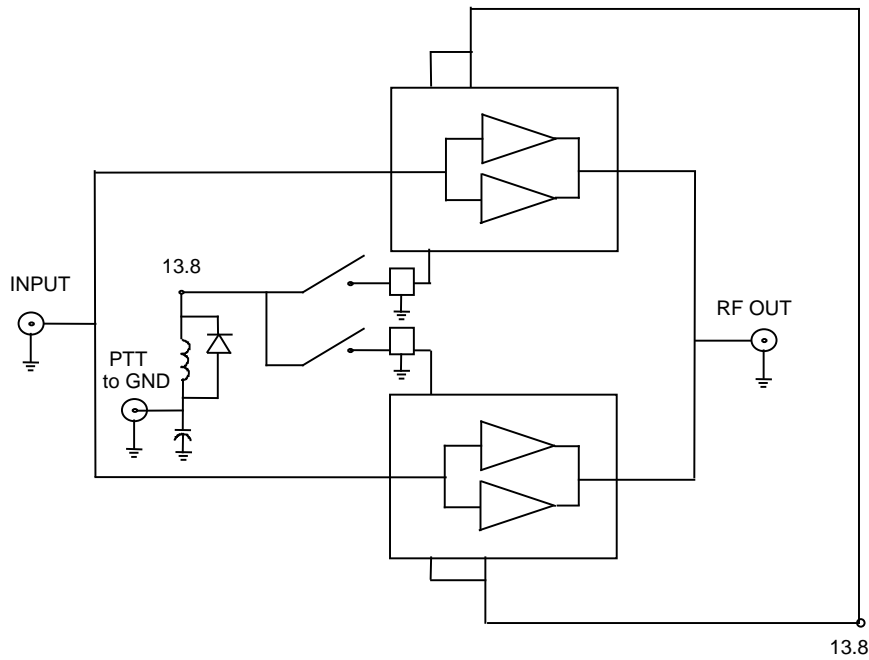
Specifications

Frequency range:	1240 to 1300 MHz
Power Out (at 1 dB compression):	65 Watts
Power Out (saturated):	>80 Watts
Power Input for rated power out:	6 Watts max., 3-4 Watts linear
Power requirements:	13.8 VDC @ 20 amps.
Connectors:	Type "N" female
Size:	10" L x 7" W x 3.5" H (standard) 12" L x 10" W x 3.5" H on PAHS model
Active devices:	4 M57762
Options:	PAS - T/R switch PAHS - Extra large heat sink

Instructions for Use

The 2370PA is a broadband linear power amplifier covering the entire 1240-1300 MHz band with no tuning. It has a linear power output of 65 Watts min. with 3-4 Watts of drive or a saturated output of over 80 Watts with a maximum of 6 Watts of drive. Type "N" connectors are used on both input and output. The 2370PA requires well regulated 13.8 VDC at 20 A for full power output. Keying is done by PTT to ground and will source approximately 20 mA. A T/R switched version is available (2370PAS) along with a ATV or repeater version with an extra large heat sink for continuous duty operation (2370PAHS). A combination of both is also available (2370PASHS)

Caution: Do not exceed 6 Watts RF input, or 13.8 volts on the DC line. Use high quality coaxial cables on both RF connections. Install the amplifier with the heat sink on top or with the fins vertical so the amplifier will convection-cool. A fan should be used in continuous duty applications to blow air through the heat sink fins. It is recommended not to keep the amplifier continuously keyed in a Repeater or ATV use.



Note: The heat sink option model is 12" L x 10" W