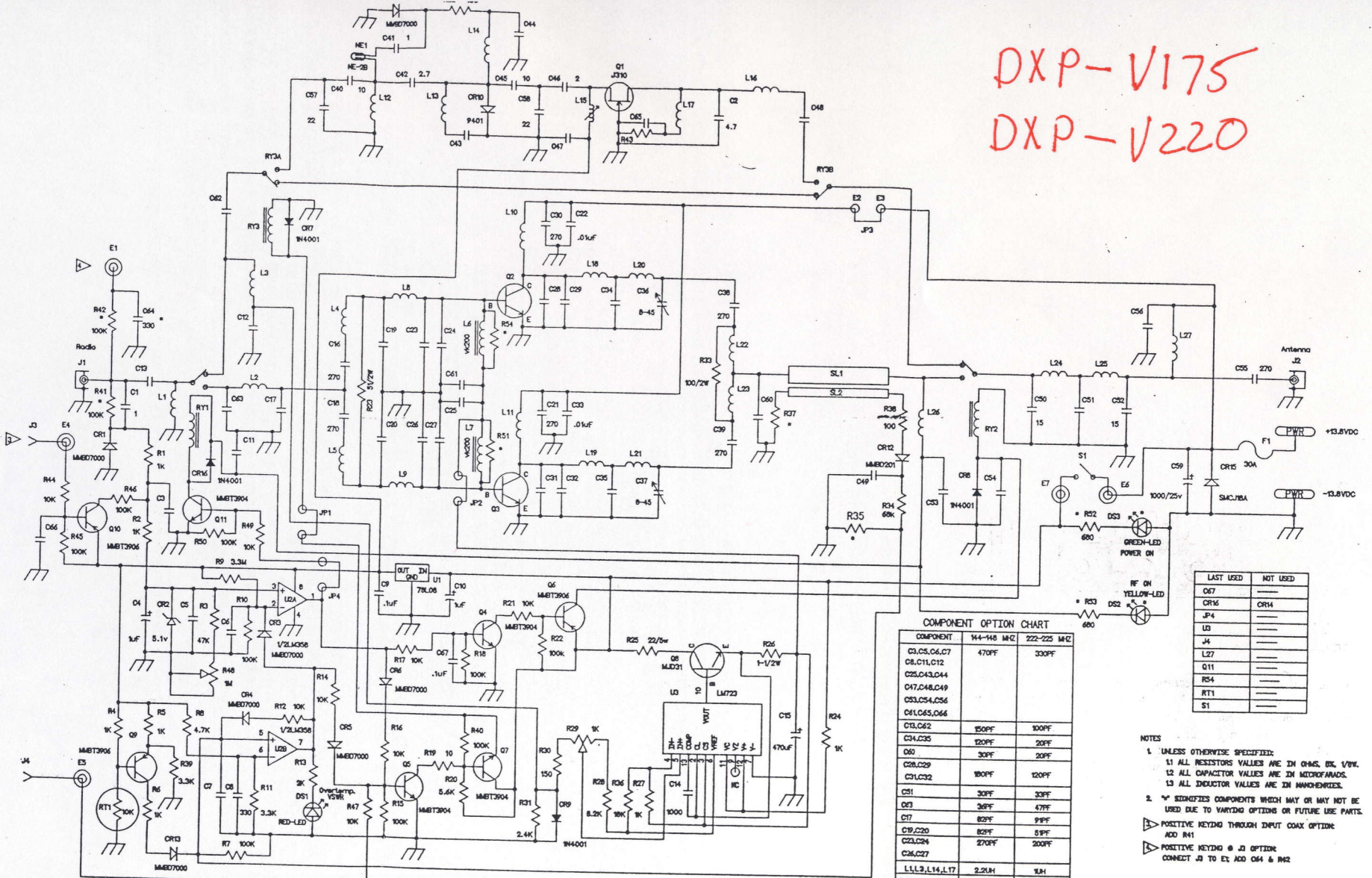


DXP-V175  
DXP-V220



COMPONENT OPTION CHART

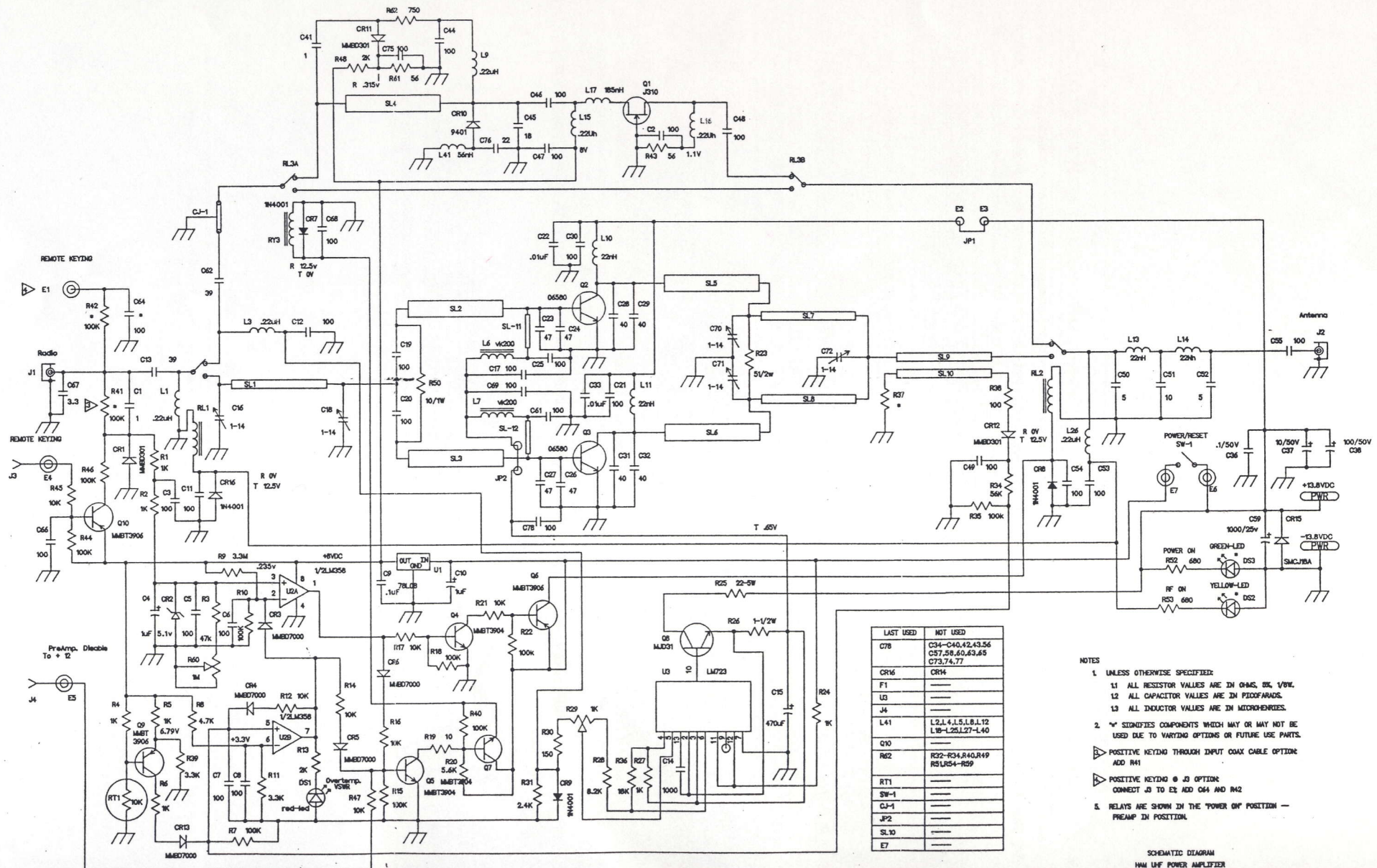
COMPONENT	14-16 MHz	222-225 MHz
C3,C5,C6,C7	470PF	300PF
C8,C11,C12		
C23,C43,C44		
C47,C48,C49		
C53,C54,C56		
C61,C65,C66		
C13,C62	150PF	100PF
C34,C35	120PF	20PF
C40	30PF	20PF
C28,C29	180PF	20PF
C1,C32	180PF	120PF
C51	30PF	30PF
C13	26PF	47PF
C17	82PF	91PF
C19,C20	82PF	51PF
C23,C24	270PF	200PF
C26,C27		
L1,L3,L14,L17	2.2uH	1uH
L16	99uH	63.5uH
L26,L27	2.2uH	1.0uH
R43	56 OHM	81 OHM
R51,R54	10 OHM/W	NOT USED

LAST USED	NOT USED
<input type="checkbox"/>	<input type="checkbox"/>
<input type="checkbox"/>	<input type="checkbox"/>
<input type="checkbox"/>	<input type="checkbox"/>
<input type="checkbox"/>	<input type="checkbox"/>
<input type="checkbox"/>	<input type="checkbox"/>
<input type="checkbox"/>	<input type="checkbox"/>
<input type="checkbox"/>	<input type="checkbox"/>
<input type="checkbox"/>	<input type="checkbox"/>
<input type="checkbox"/>	<input type="checkbox"/>
<input type="checkbox"/>	<input type="checkbox"/>

- NOTES
- UNLESS OTHERWISE SPECIFIED:  
11 ALL RESISTOR VALUES ARE IN OHMS, K, 1/W.  
12 ALL CAPACITOR VALUES ARE IN MICROFARADS.  
13 ALL INDUCTOR VALUES ARE IN MILLIHENRIES.
  - \* INDICATES COMPONENTS WHICH MAY OR MAY NOT BE USED DUE TO VARYING OPTIONS OR FUTURE USE PARTS.
- ▲ POSITIVE KEYING THROUGH INPUT COAX OPTION  
ADD R41
- ▲ POSITIVE KEYING @ J3 OPTION  
CONNECT J3 TO E1 ADD C64 & R42

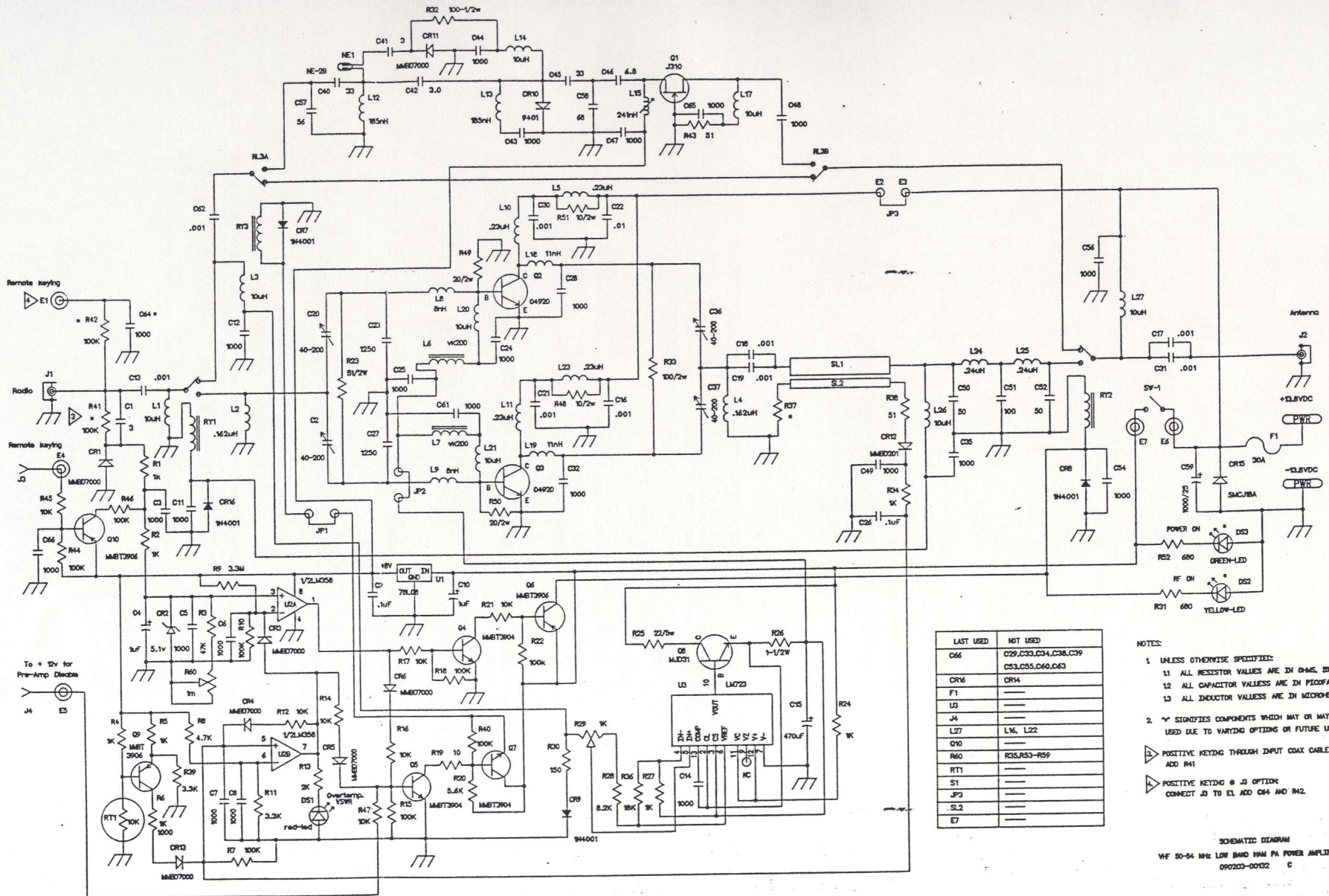
SCHEMATIC DIAGRAM  
HAM WF POWER AMPLIFIER  
090203-0012 F

DXP-U150



LAST USED	NOT USED
C78	C34-C40,42,43,56
	C57,58,60,63,65
	C73,74,77
CR16	CR14
F1	---
L3	---
J4	---
L41	L2, L4, L5, L8, L12
	L10-L12, L27-L40
Q10	---
R62	R32-R34, R40, R49
	R51, R54-R59
RT1	---
SW-1	---
CJ-1	---
JP2	---
SL10	---
E7	---

- NOTES
- UNLESS OTHERWISE SPECIFIED:
    - ALL RESISTOR VALUES ARE IN OHMS, BK. 1/KΩ.
    - ALL CAPACITOR VALUES ARE IN PICOFARADS.
    - ALL INDUCTOR VALUES ARE IN MICROHENRIES.
  - \* INDICATES COMPONENTS WHICH MAY OR MAY NOT BE USED DUE TO VARYING OPTIONS OR FUTURE USE PARTS.
- ▶ POSITIVE KEYING THROUGH INPUT COAX CABLE OPTION: ADD R41
- ▶ POSITIVE KEYING @ J3 OPTION: CONNECT J3 TO E2; ADD C44 AND R42
5. RELAYS ARE SHOWN IN THE "POWER ON" POSITION - PREAMP IN POSITION.



LAST USED	NOT USED
C66	C29, C33, C34, C38, C39
CR16	CR14
F1	
L3	
J4	
L27	L16, L22
Q10	
R60	R35, R53-R59
RT1	
S1	
JP3	
SL2	
E7	

- NOTES:
- UNLESS OTHERWISE SPECIFIED:
    - ALL RESISTOR VALUES ARE IN OHMS, EX. 1/W.
    - ALL CAPACITOR VALUES ARE IN PICOFARADS.
    - ALL INDUCTOR VALUES ARE IN MICROHENRIES.
  - \* S SIGNIFIES COMPONENTS WHICH MAY OR MAY NOT BE USED DUE TO VARYING OPTIONS OR FUTURE USE PARTS.
- ▷ POSITIVE KEYING THROUGH INPUT COAX CABLE OPTION: ADD R41  
 ▷ POSITIVE KEYING @ J3 OPTION: CONNECT J3 TO E1. ADD C64 AND R42.

SCHEMATIC DIAGRAM  
 WF 50-54 MHz LOW BAND PA POWER AMPLIFIER  
 090203-00352 C

DXP -L180